



Please read the following instruction carefully before using the Light Timer Switch

Warning: The Timer must be installed by a qualified person. This Timer is recommended for indoor electrical environments only. be sure that the Timer is securely mounted. Circuit breaker 2-pole must be installed between the power source and controller. An external contactor is recommended if the load exceeds the timer relay contact current rating.

Introduction

The Timer Switch controls the light circuit. It switches ON the light circuit at 6 am and switches OFF at 6 pm. Two types of program selection are available. The timer can operate on either AC or DC 24 v to 230 volts using the terminal N/P.

Power supply

Input voltage range: 24v - 264V AC/DC

Frequency range: 50 / 60Hz

Timer Switch Safety & Protection

AC mains input with Resettable fuse & Transients voltage protection. And safety circuit monitors the enclosure's internal temperature

Technical Data

Timer Input voltage range	24 - 230v AC/DC
Program selection	Full night(6-6), Energy saving(6-11&4-6)
LED Indications	Relay status, Program select, Time, Error
Relay type	Elec-Mech, SPST, 10A@230vAC
Relay life	100k Operations, Silver alloy contact
RTC battery backup	2-Years
Wi-Fi connectivity	No
Clock Setting option	Yes
Terminals	4mm Sq solid
Safety features	Thermal Shutdown
Installation type	Din Rail mountable
Enclosure protection	IP40 / DIN EN60529, InflammableUL94V0
Range of use	Indoor environments
Product Safety test Certification	Not tested
Size	22x75x105mm
Working temperature	0-55 degCen(Not tested by LAB)
Colour	Light Gray
Weight	Approx 120gm

and switches off the relay output if the temperature above the safety value.

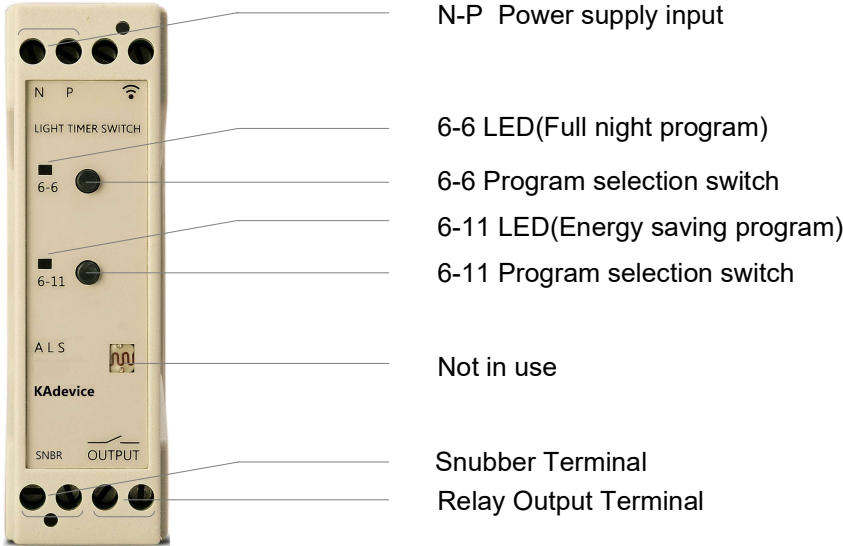
Application:

Automate Street light switches, Compound light switches, Shops nameplate lighting, Building external lighting, Park and garden lighting, Advertising lighting, etc. Where you want to switch ON and switch OFF automatically from 6 pm to 6 am (or) 6 pm to 11 pm and 4am to 6am

Operating Instruction

Check that AC power input supply matches the data on the input rating, Keep the operating instructions in place for reference.

Device Setup



N-P Power supply Input: Input supply voltage ranges from 24v to 264v AC or DC. Recommended to use a circuit breaker 2-pole between the input power source and the timer for safety. LED flicker every 10sec once indicating timer power ON.

6-6 (Full night) Program: In this program timer output switches ON the relay circuit at 6 pm (evening) and it switches OFF at 6 am (morning). 6-6 LED flickers every 10sec once indicating the Full night program selection.

6-11 (Energy saving) Program: In this program timer output switches ON the relay circuit from 6 pm to 11 pm and then again it switches ON from 4 am to 6 am. 6-11 LED flickers every 10sec once indicating the Energy saving program selection.

Relay Output Terminal: The SPST relay output pole is normally open(OFF) condition. 6-6 LED (or) 6-11 LED ON-indicates the relay is in ON condition. Relay can drive a maximum of 10 Amps current at 230vAC/24vDC. Recommended to use an external conductor for high voltage high current load.

Snubber Terminal: Snubber connection is used to limit voltage transients in electrical load switching. Specially snubber is recommended for inductive load switching. The user can disconnect if not required. Use short-length sleeve wire to activate the snubber as shown in the figure below.



Indication & Switch Functions

6-6 LED indication:

Led flickers every 10 seconds indicating Full night program selection.

Led flickers once indicate AM (before noon), Led flickers twice indicate PM (afternoon),

Led stays ON indicates timer relay output switched ON.

6-11 LED indication:

Led flickers every 10 seconds indicating Energy saving program selection.

Led flickers once indicate AM (before noon), Led flickers twice indicate PM (afternoon),

Led stays ON indicates timer relay output switched ON.

Error Indication: Both the LEDs blink fast indicating the timer functional error.

6-6 Program switch: To select Full night program.

6-11 Program switch: To select Energy saving program.

Program Selection & Settings

6-6 Program Selection Procedure:

Press and hold the 6-6 program switch until the 6-6 LED blink.

6-11 Program Selection Procedure:

Press and hold the 6-11 program switch until the 6-11 LED blink.

Clock Setting Procedure (24-hour clock):

Step 1: Press and hold both keys until both led blink.

Step 2: Press once and release the 6-6 key to enter the clock setting. Both the led blink stop.

(Note: Start hours / minutes setting within 30 seconds, if not it will come out from the setting mode. To Re-enter the clock setting you need to start the procedure again from step-1)

Step 3: To set Hours, Press and hold the 6-6 key. The number of times led blink indicates the hours.

Example: Led 5 times blink = hours 5 am selected

Led 20 times blink = hours 8 pm selected

Led 24 times blink = hours 12 am selected

Step 4: To set Minutes, Press and hold 6-11 key. The number of times led blinks (x5) indicates the minutes.

Example: Led 2 times blink = 2 (x5) = Minutes 10 selected

Led 10 times blink = 10 (x5) = Minutes 50 selected

Led 12 times blink = -> = Minutes 00 selected

Step 5: After settings wait for 30 seconds it will automatically come out from the clock setting mode to normal working conditions. If not switch-off and switch-on.

Clock Setting at 6pm Procedure: Do this procedure at 6pm evening at real time

Step 1: Press and hold both keys until both led blink.

Step 2: Press and release the 6-11 key exactly at 6 pm. This will set the timer clock as 6 pm.

Read Clock Hours:

In Timer normal working condition. Press once and release the 6-6 key to read the clock hours. After releasing the key '6-6 Led' blinks the number of times indicate hours.

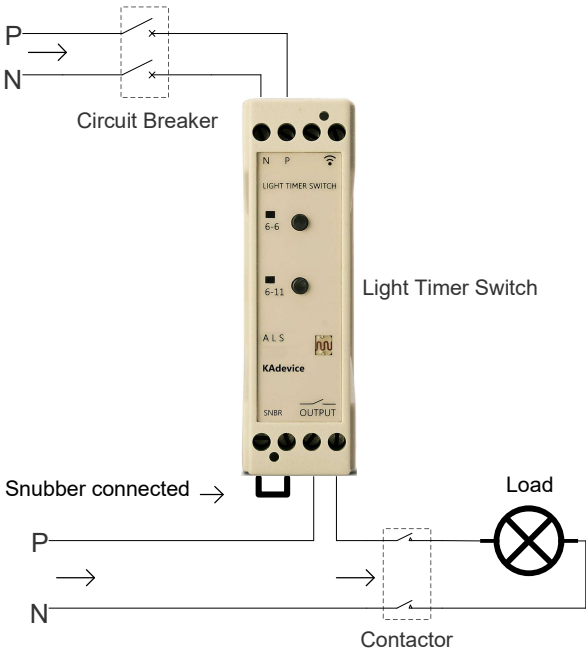
- Example: Led 5 times blink = hours 5 am
- Led 20 times blink = hours 8 pm
- Led not blink = hours 12 am

Read Clock Minutes:

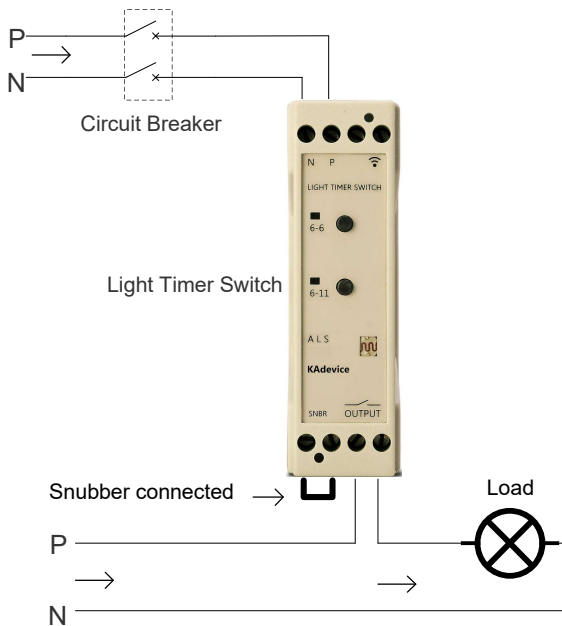
In Timer normal working condition. Press once and release the 6-11 key to read the clock Minutes. After releasing the key '6-11 Led' blinks the number of times(x5) to indicate the minutes


- Example: Led 2 times blink = 2 (x5) = 10 Minutes
- Led 10 times blink = 10 (x5) = 50 Minutes
- Led not blink = -> = 00 Minutes

More than 5 amps load wiring diagram



Less than 5 amps load wiring diagram



Manual ON/OFF Procedure: Remove Snubber connection wire and connect  across OUTPUT terminal. And use circuit breaker switch for manual ON/OFF control.

Note: This product is not certified by any safety test. So the company (or) product designer (or) supplier is not responsible for any injury, death, illness, loss, or damages.