

DC Power Supply



Din rail mountable DC power supply, It is designed for low voltage application. Fixed output voltage and capable of drive a 2 Amps load with excellent line and load regulation. The model DFV is competitively price and it can operate continuously at its maximum rated output and is overload protected. This manual provides the information to help the maximum performance and longest life for this power supply.

Application

High efficiency step-down (buck) converter.
Efficient pre-regulator for linear regulator.
Power supply for battery chargers.

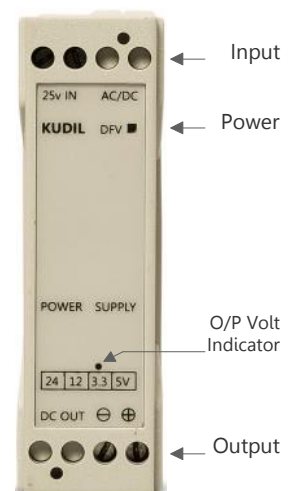
Model- DAV

Optional Accessories [DS50](#), [DS25](#), [DLA](#), [LD22](#)

Technical Data

Power supply type	Switch mode Non-isolated
Input voltage range	36vDC (or) 25vAC max
Output voltage range	Fixed voltage either 3.3, 5, 12, 24v
Output current	2 Amps Maximum
Protections	Thermal-shutdown & Current-Limit
Load regulation	High efficiency, excellent regulation
Terminals	4mm Sq solid
Enclosure protection	IP20 / DIN EN60529
Size	22 x 75 x 105 mm
Installation style	Din Rail mountable
Colour	Light Grey
Weight	Approx 120gm
Warranty	One year

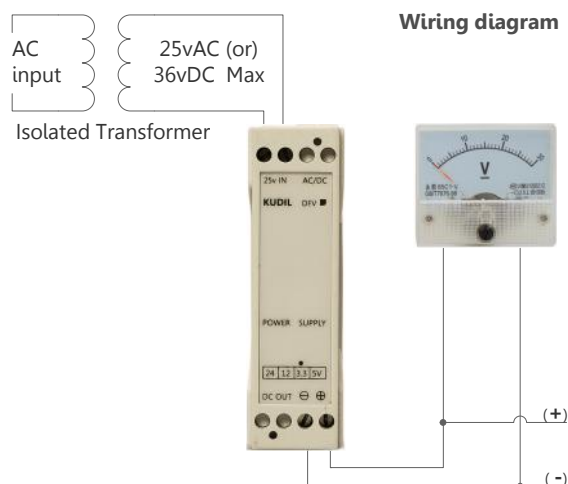
Model: DFV



Ordering Info

DFV-0012 -> 12volt output
DFV-0005 -> 5volt output
DFV-03P3 -> 3.3volt output
DFV-0024 -> 24volt output

Power LED lights when power is turned on.



The device (DFV) fixed voltage power supply designed for the low voltage application. The device input connections detailed in wiring diagram(fig). The input supply voltage must be is isolated from the ac mains using step down transformer method. About the input voltage range please refer specification table. The output voltage polarity printed near the terminal as (+) and (-). The output provide up to 2 amps current, Thermal shutdown may occur when the output is overloaded for a few minutes. Upon thermal shutdown there will be no output. If thermal shutdown occurs, remove the load and wait for some time to power supply cool down. Normal operation may then resume. Use external multimeter to measure output current and voltage. Although power supply is protected from over load and short circuit, avoid these conditions in regular use results in minimum stability and reliability. Always allow sufficient air space around the device.

Safety Precautions

Avoid using this device in high temperature environment etc. Do not place objects on top of the device. Unplug the device from the main before cleaning. Do not use liquid cleaner. This device is recommended for indoor use only or with weather proof enclosure.

Service Information

Please mail us to info@kudiltech.com , Clearly mention the problem and purchased date. KudilTech will contact you.

Fuse Replacement

If the fuse blows, there will be no output. The following instructions are for use by qualified personnel only. The fuse is located on the top panel. Replace only with a fuse of correct current rating.

One-Year Warranty

KudilTech warranty to the original purchaser that its product and parts, will be free from defects in workmanship and materials for a period of one year from date of purchase. This warranty does not apply of misuse or abuse of the product, unauthorized repairs. This product must be registered by completing registration at within 15 days of purchase.